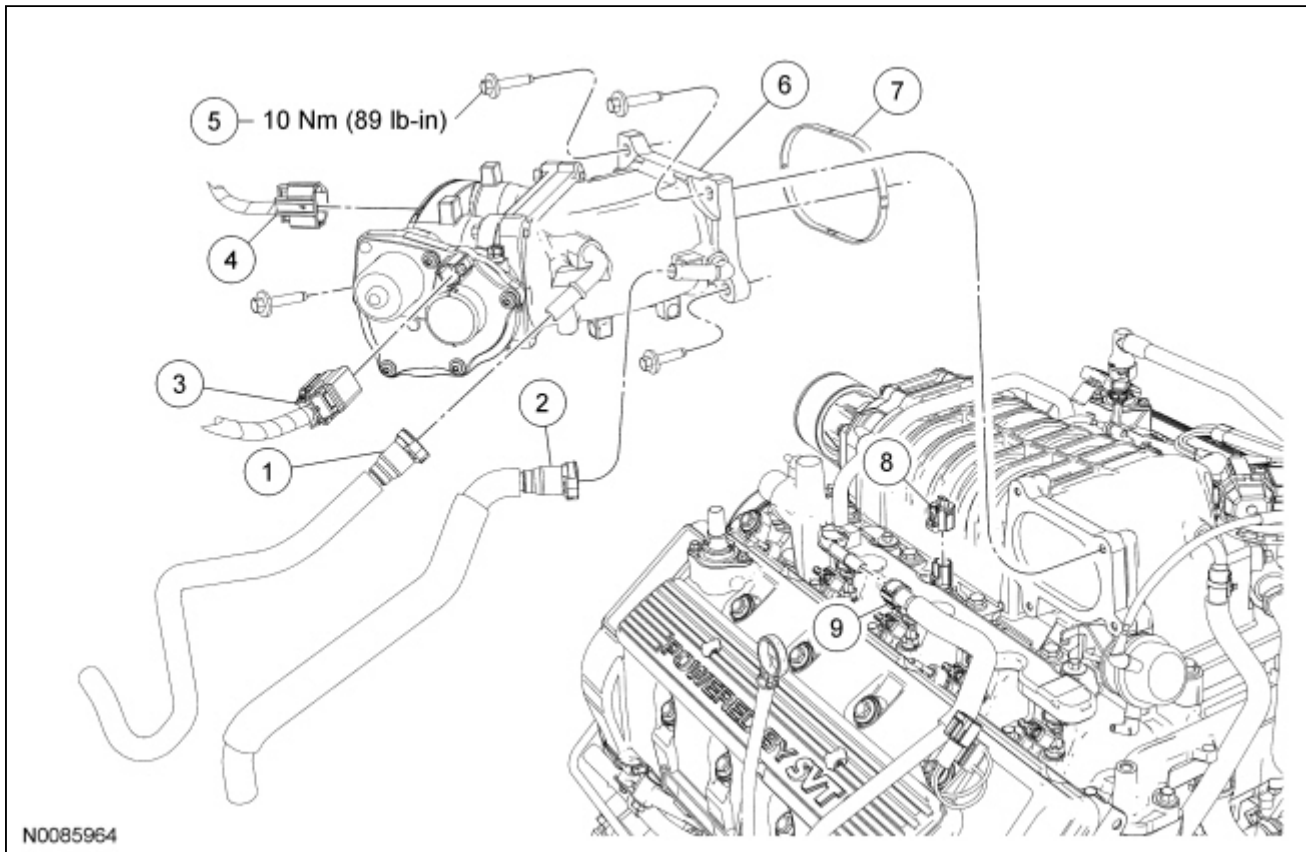


Fuel Rail and Fuel Injector — Exploded View

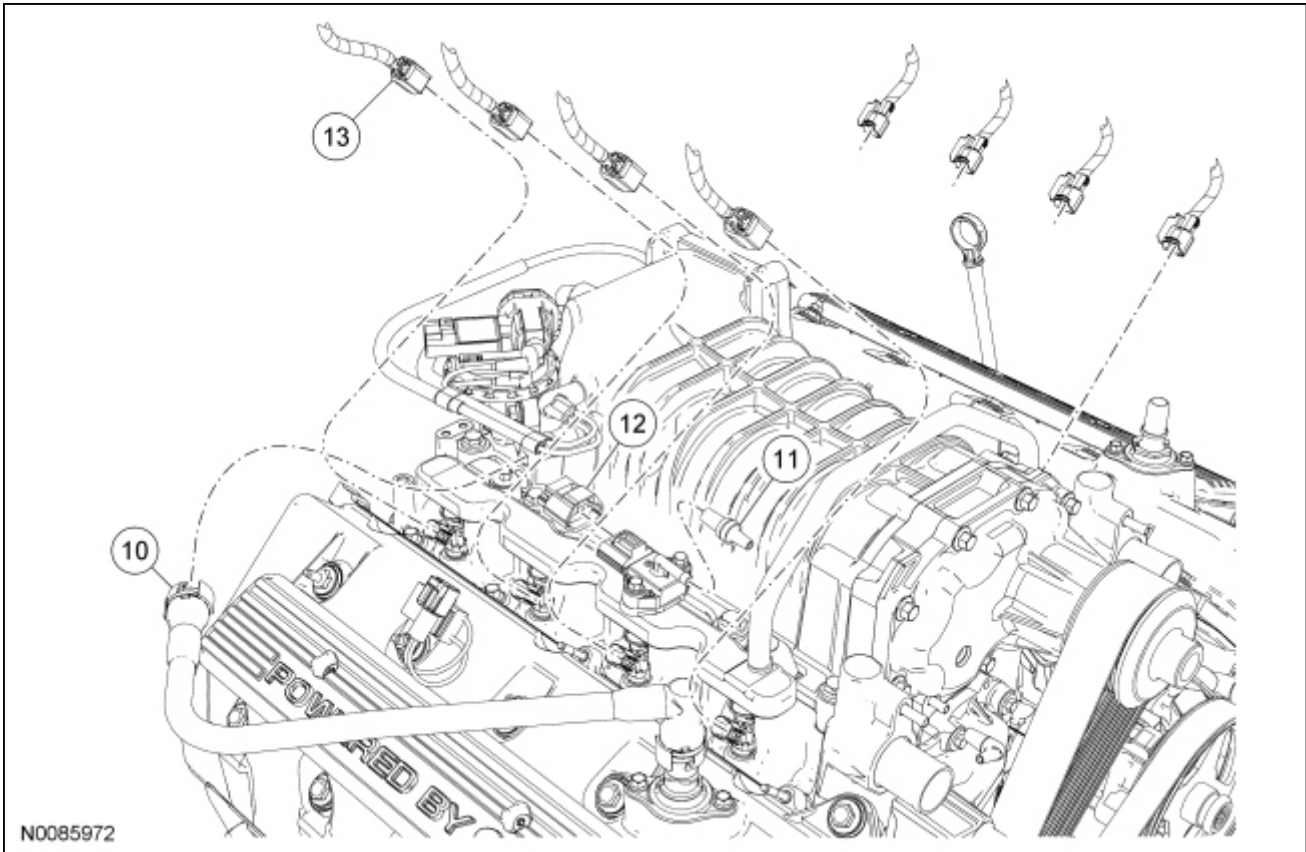
Throttle Body and Spacer



N0085964

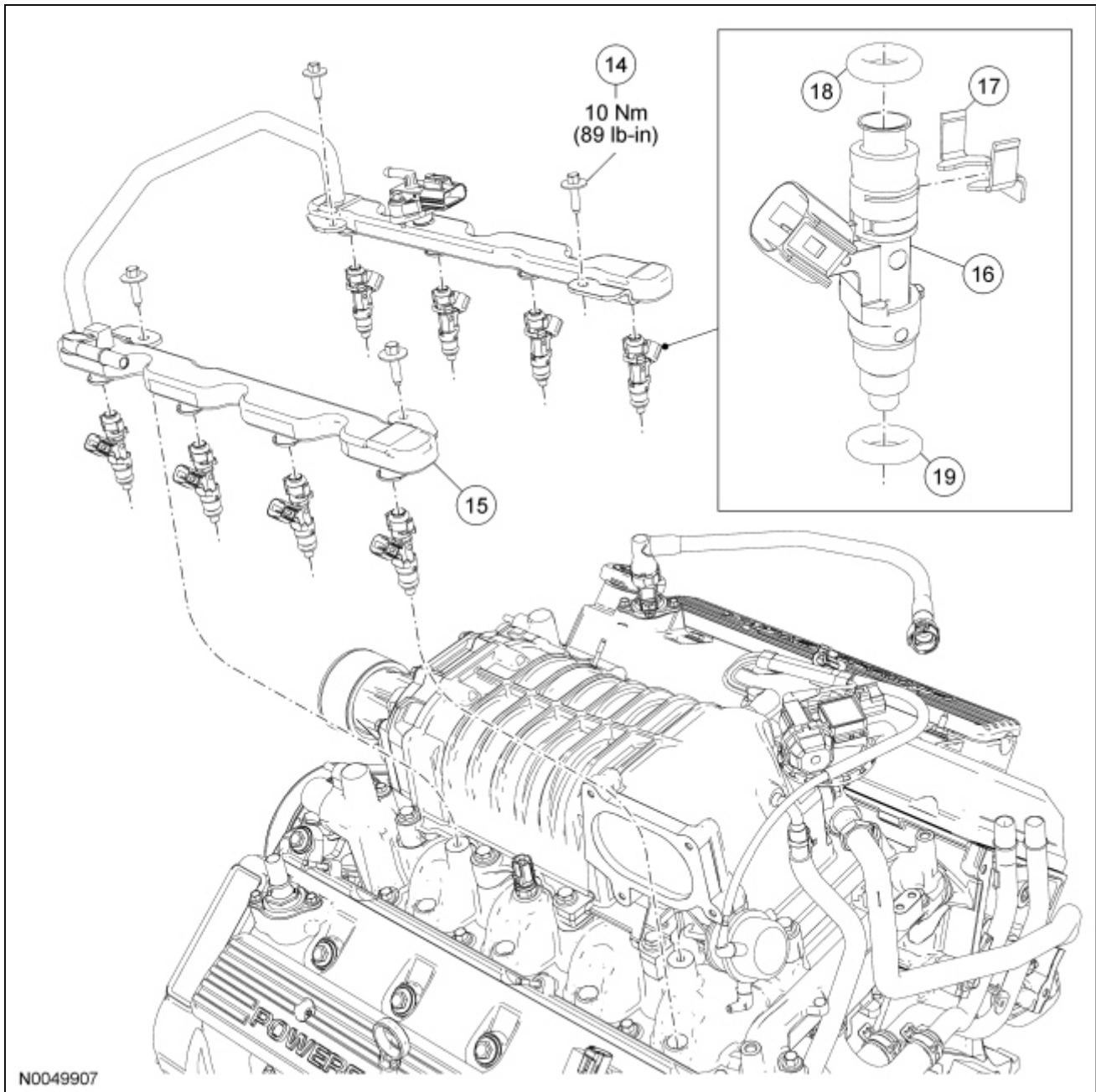
Item	Part Number	Description
1	9G271	Evaporative Emission (EVAP) canister purge valve vapor tube-to-Throttle Body (TB) spacer quick connect coupling
2	2B432	Brake booster-to- TB spacer quick connect coupling
3	14A464	Electronic throttle control electrical connector (part of 12B637)
4	14A464	Throttle Position (TP) sensor electrical connector (part of 12B637)
5	N806154	TB spacer bolt (4 required)
6	9E822	TB spacer assembly
7	9L437	TB spacer-to-Supercharger (SC) gasket
8	14A464	Intake Air Temperature 2 (IAT2) sensor electrical connector (part of 12B637)
9	9J280	Fuel supply tube-to-fuel rail quick connect coupling

Electrical Connectors and Hoses



Item	Part Number	Description
10	6K817	PCV valve-to-Supercharger (SC) tube quick connect coupling
11	9E498	Fuel rail pressure and temperature sensor vacuum hose
12	14A464	Fuel rail pressure and temperature sensor electrical connector (part of 12B637)
13	14A464	Fuel injector electrical connector (8 required) (part of 12B637)

Fuel Rail and Injectors



Item	Part Number	Description
14	N804394	Fuel rail bolt (4 required)
15	9F792	Fuel rail
16	9F593	Fuel injector (8 required)
17	9F907	Fuel injector clip (8 required)
18	—	Upper fuel injector O-ring seal (8 required) (part of 9F593)
19	—	Lower fuel injector O-ring seal (8 required) (part of 9F593)

1. For additional information, refer to the procedures in this section.

